

CURRENTLY USED TECHNOLOGY

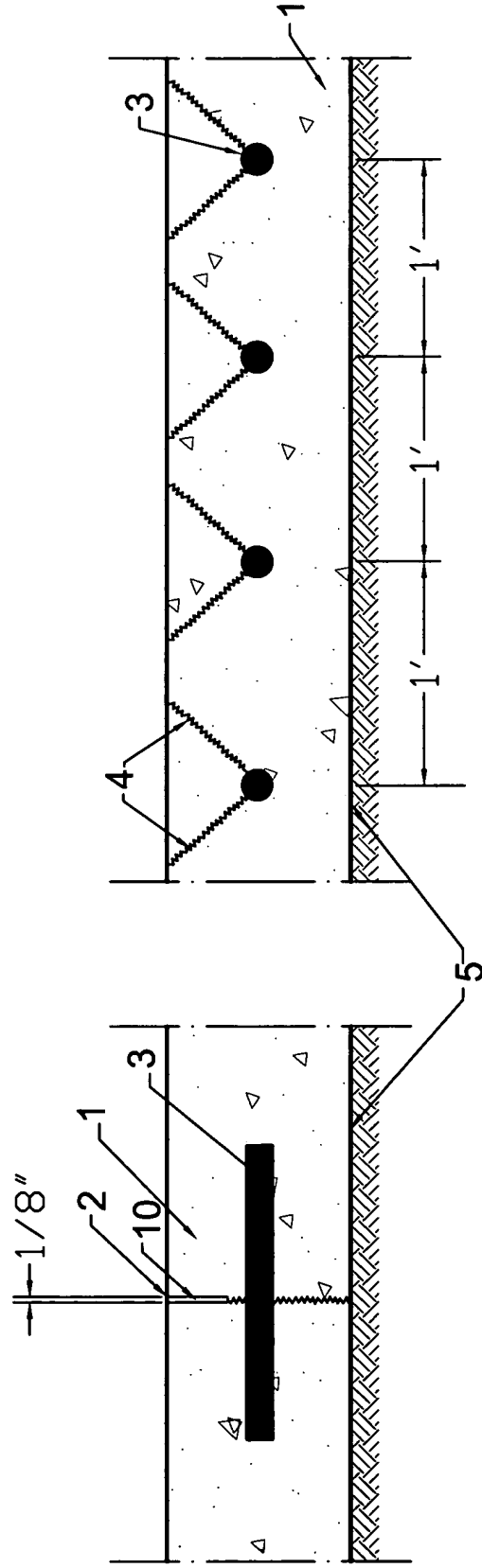
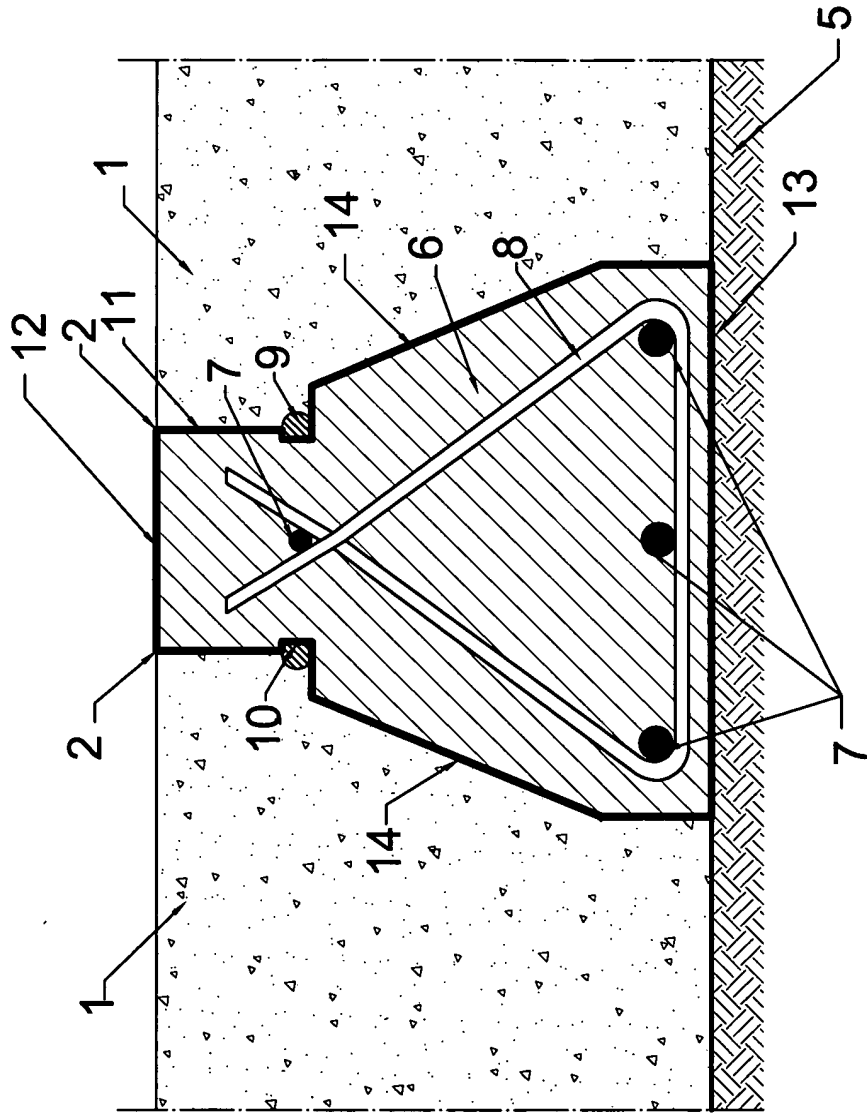


FIG. 1a

FIG. 1b

VARIANT 1



VARIANT 2

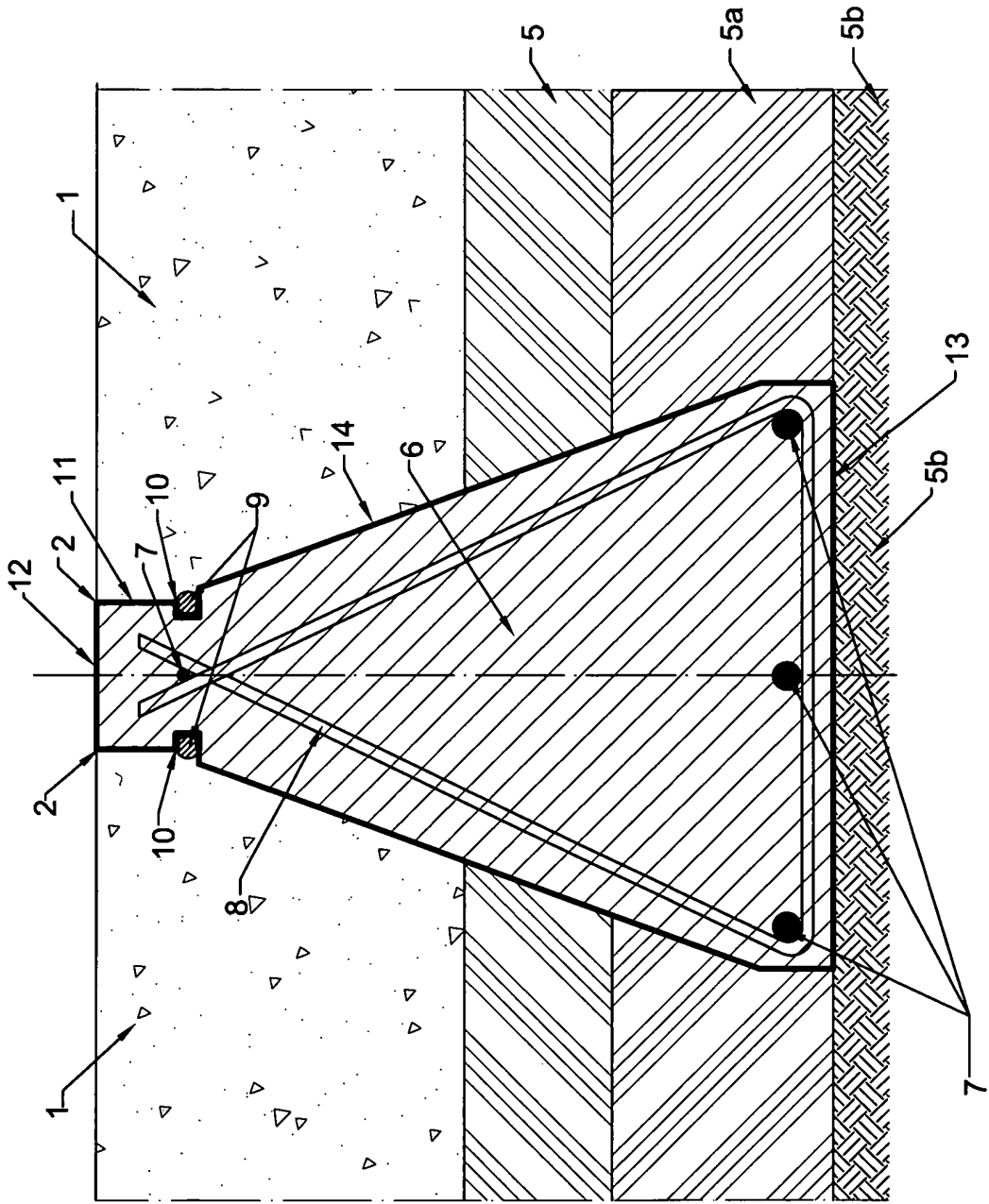


FIG. 3

VARIANT 3

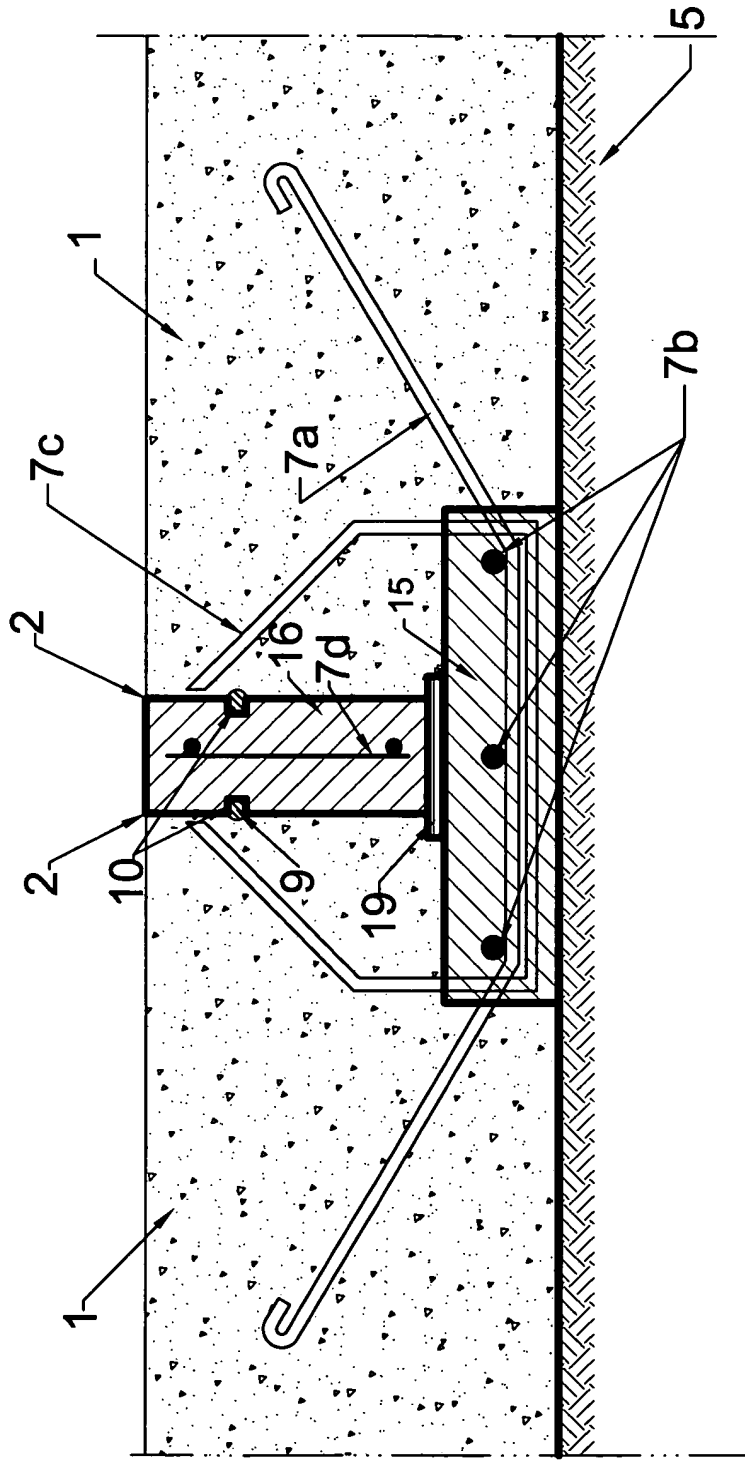


FIG. 4

VARIANT 1a

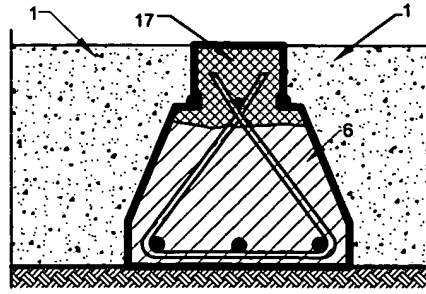


FIG. 5a

VARIANT 2a

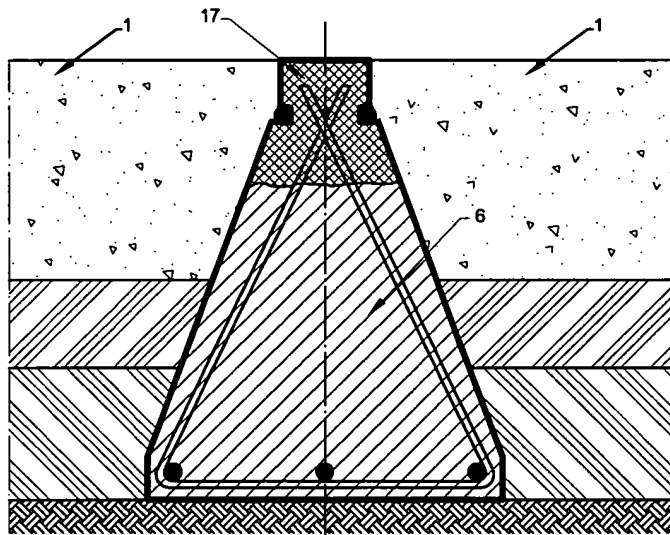


FIG. 5b

VARIANT 3a

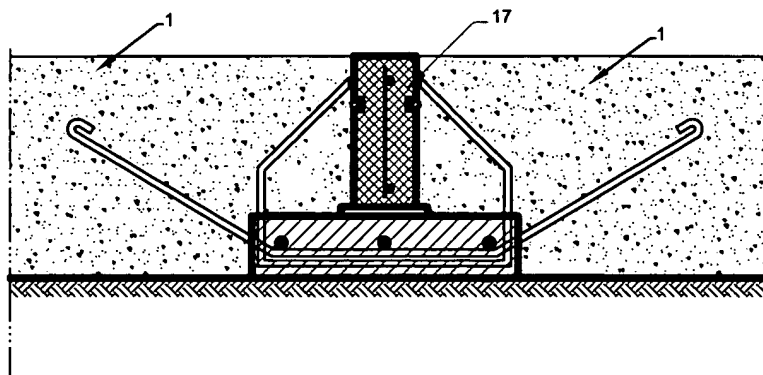


FIG. 5c

VARIANT 1b

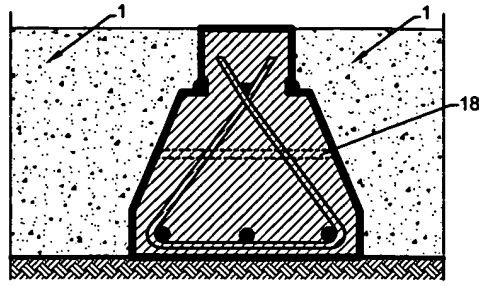


FIG. 6a

VARIANT 2b

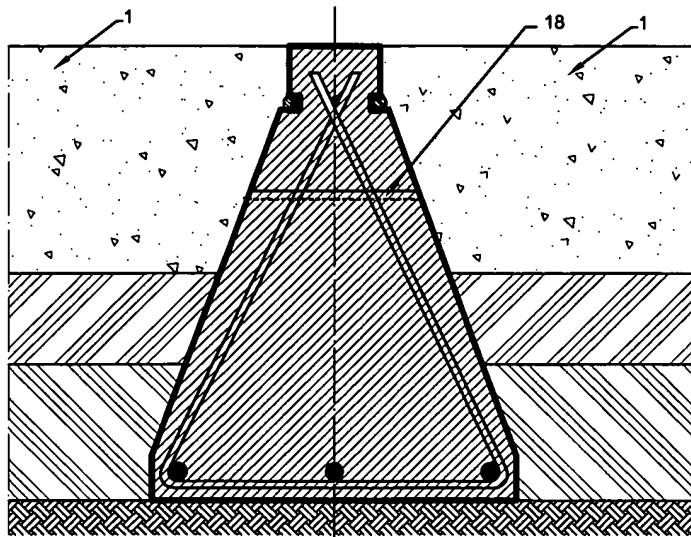


FIG. 6b

VARIANT 3b

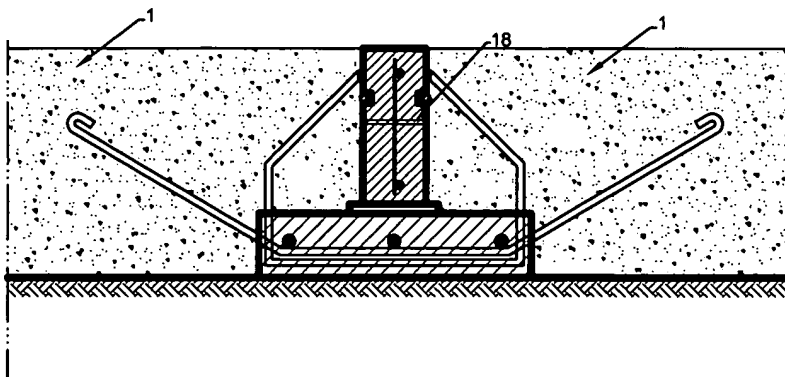


FIG. 6c

VARIANT 1c

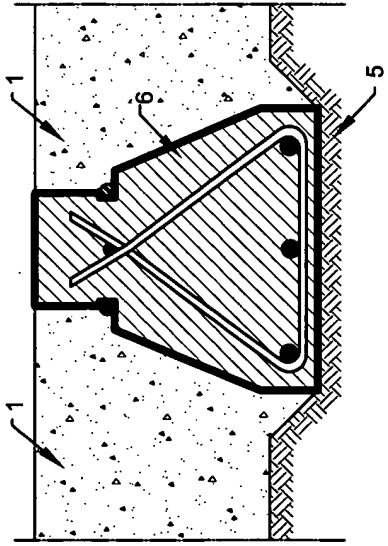


FIG. 7a

VARIANT 3c

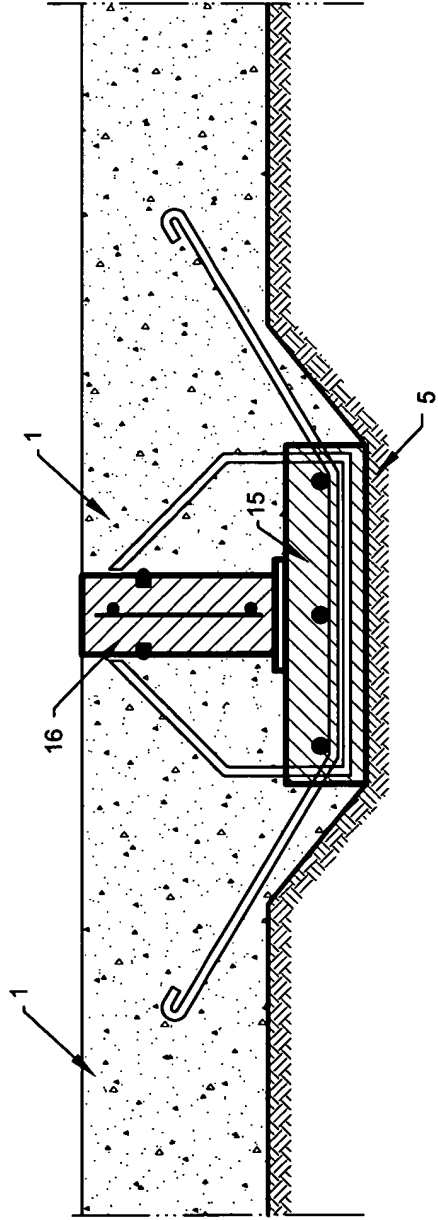


FIG. 7b

VARIANT 1d

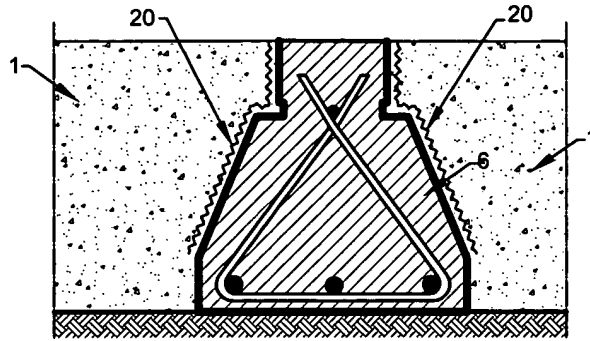


FIG. 8a

VARIANT 2d

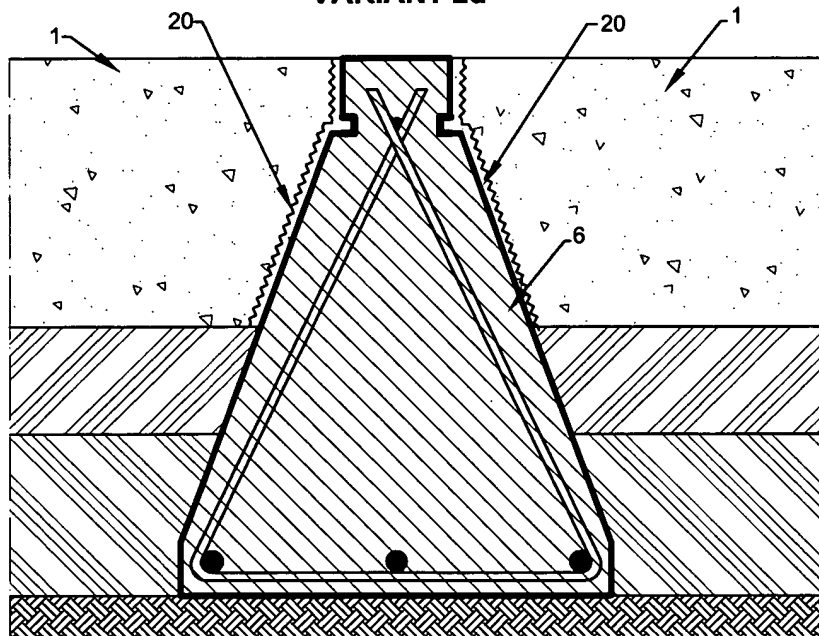


FIG. 8b

VARIANT 3d

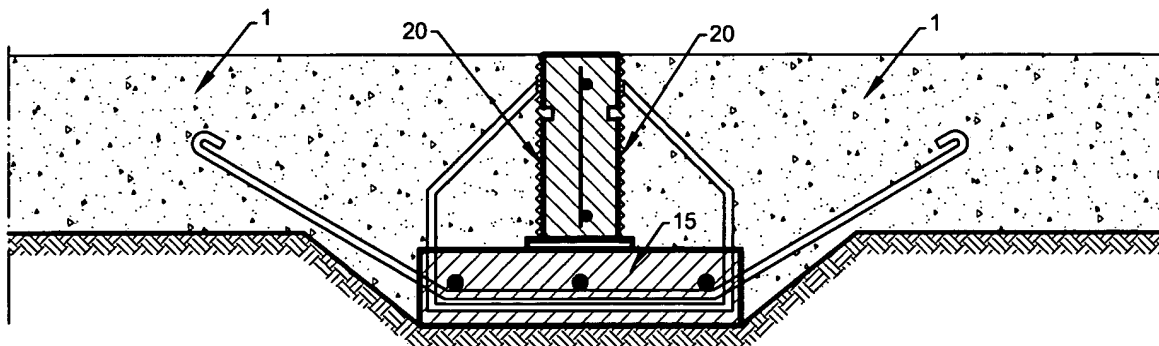


FIG. 8c

VARIANT 4

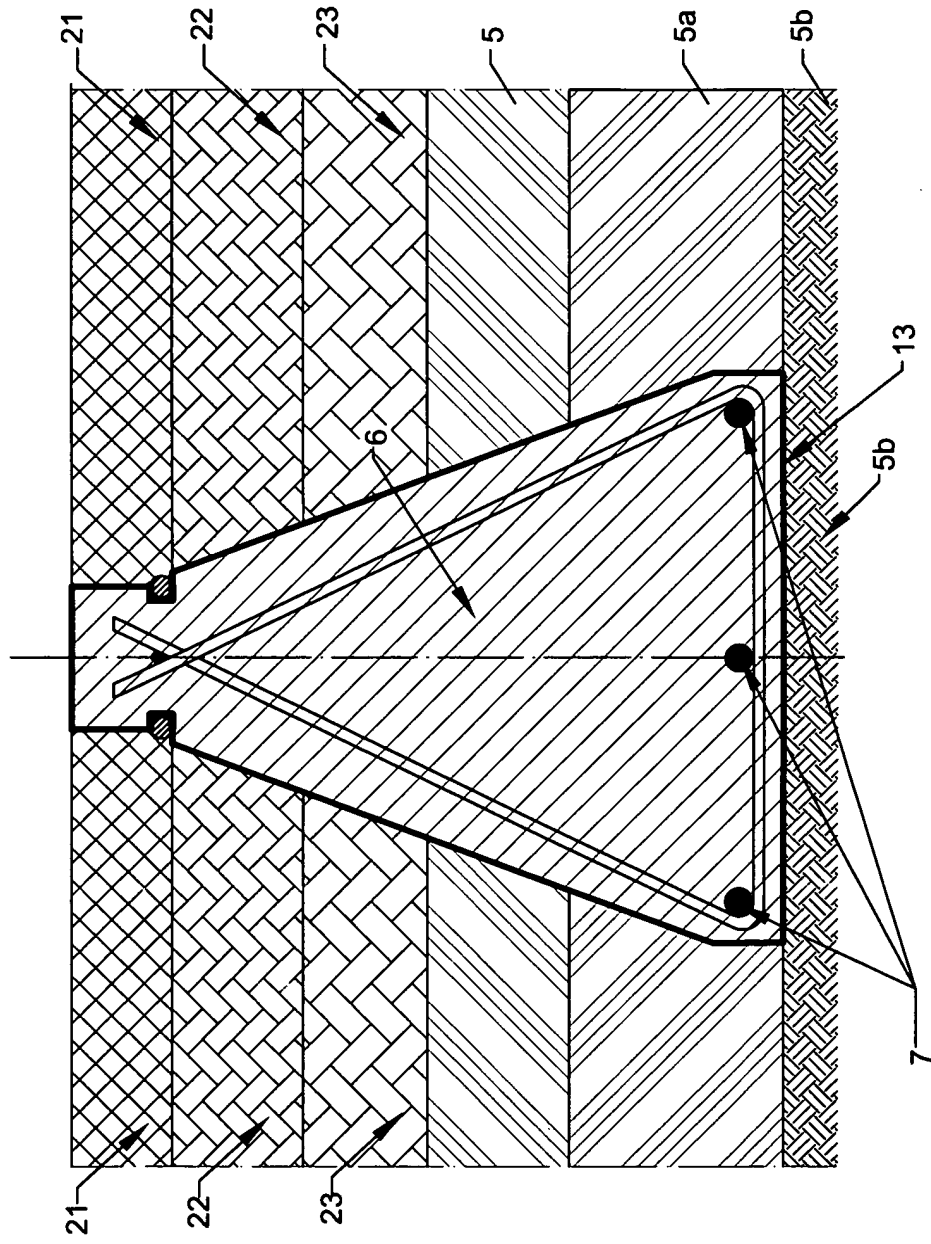


FIG. 9